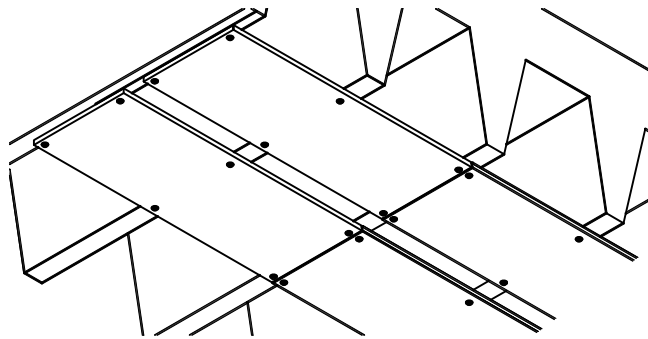
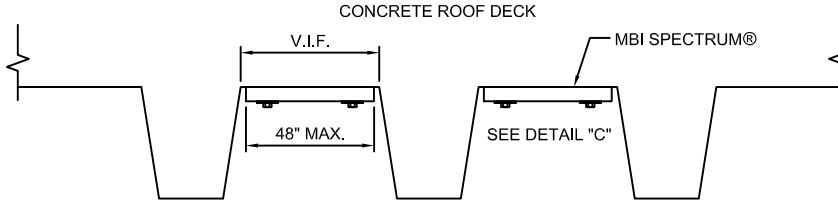


**1**  
VIEW FROM BELOW  
SCALE: NA

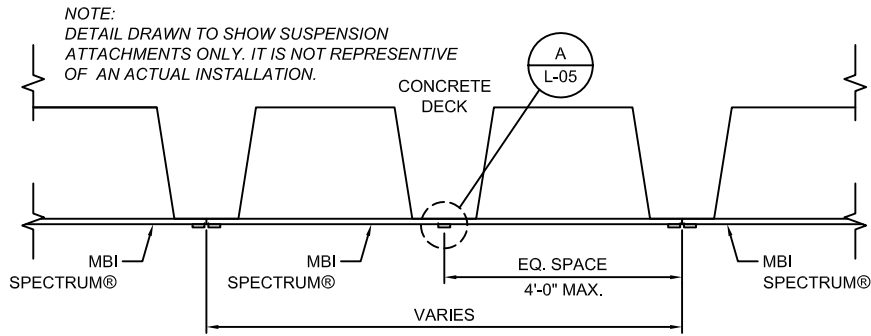


**2**  
VIEW FROM BELOW  
SCALE: NA

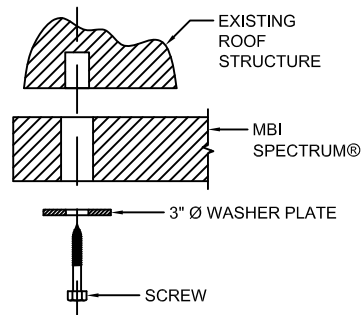
NOTE:  
1) CONFIRM COFFER DIMENSIONS PRIOR TO INSTALL.



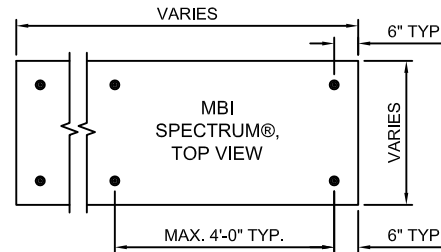
**3**  
SPECTRUM - TYP. ATTACHMENT DETAIL  
SCALE: NA



**4**  
SPECTRUM - TYP. ATTACHMENT DETAIL  
SCALE: NA




**A**  
HARDWARE ATTACHMENT DETAIL  
SCALE: NA



**B**  
WASHER PLATE DETAIL  
SCALE: NA

This drawing is property of MBI Products Company Inc. Any reproduction or use of this drawing can only occur with written consent of MBI.

MBI Products Company, Inc.  
8071 Bond Street  
Elmira, Ohio 44035  
Telephone: (440) 322-6500  
Fax: (440) 322-1900  
Website: www.mbiproducts.com




Established 1965

Revisions:

No.	Date:	Description:

Sheet Description:  
**MBI Spectrum® Panels  
Attach Direct to Concrete  
w/ Washer Plates**



MBI Products Company, Inc.

Drawn By: CPB

Date: 01/25/11

Scale: NA

Drawing Ref: None

Drawing:  
**SP-02**