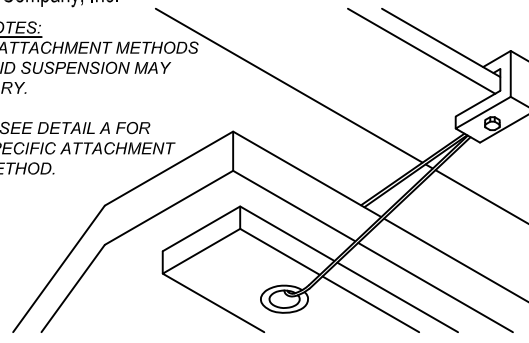


**1**  
L-01  
**VIEW FROM BELOW**  
SCALE: NA

- NOTES:**
- 1) ATTACHMENT METHODS AND SUSPENSION MAY VARY.
  - 2) SEE DETAIL A FOR SPECIFIC ATTACHMENT METHOD.

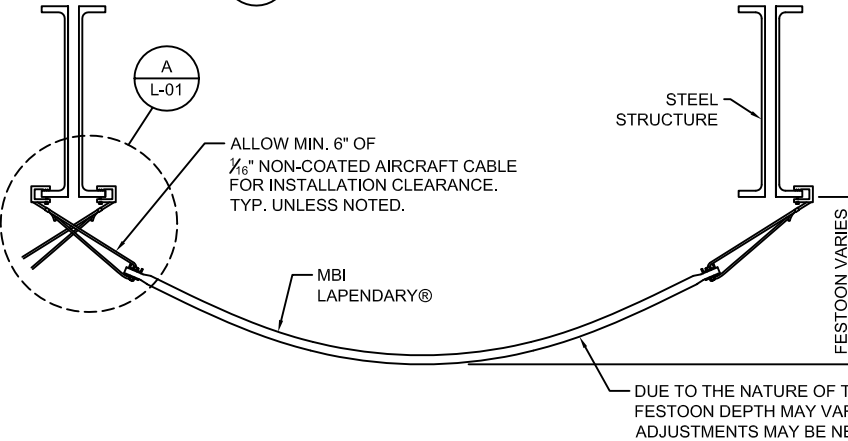


**2**  
L-01  
**ATTACHMENT VIEW**  
SCALE: NA

This drawing is property of MBI Products Company, Inc. Any reproduction or use of this drawing can only occur with written consent of MBI.

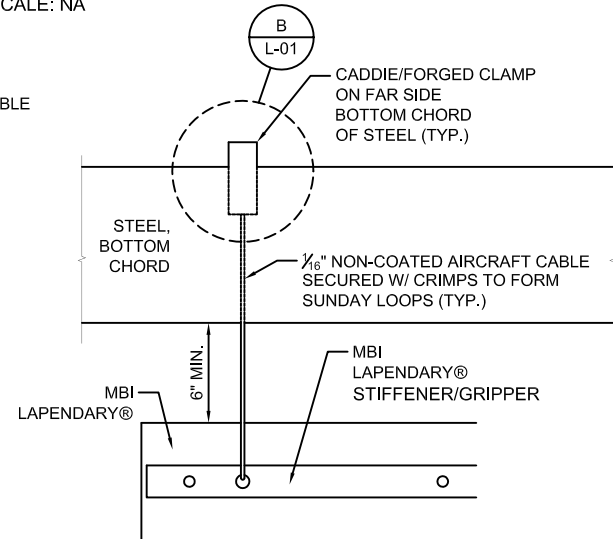
**NOTES:**

- 1) THIS IS THE PREFERRED METHOD OF ATTACHMENT AS RECOMMENDED BY MBI PRODUCTS COMPANY.
- 2) BEAM CLAMPS MUST BE BOLTED SECURELY TO OPPOSITE SIDE OF BAR JOIST OR BEAM.
- 3) PERFORATED SIDE OF LAPENDARY® TO FACE DOWN.



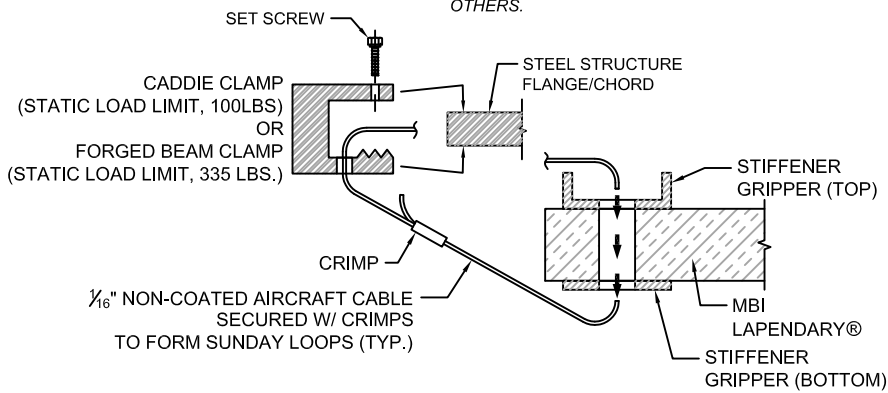
**3**  
L-01  
**HORIZ. LAPENDARY - TYP. END ATTACHEMENT DETAIL**  
SCALE: NA

- NOTES:**
1.  $\frac{1}{16}$ " AIRCRAFT CABLE STATIC LOAD JOIST RATING IS 480 LBS.
  - 2) FORGED BEAM CLAMP STATIC LOAD IS 335 LBS.
  - 3) CADDIE CLAMP STATIC LOAD IS 100 LBS.

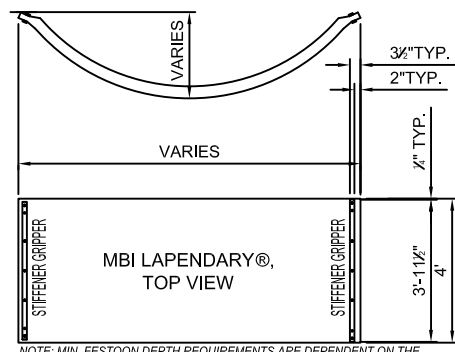


**A**  
L-01  
**HORIZ. LAPENDARY - TYP. FAR SIDE END ATTACHEMENT DETAIL**  
SCALE: NA

**NOTE:**  
ALL MBI DRAWINGS AND DETAILS ARE INTENDED TO PROVIDE GENERIC INSTALLATION GUIDELINES ONLY. ACTUAL FIELD CONDITIONS MAY VARY AND NEED TO BE CONFIRMED BY OTHERS.



**B**  
L-01  
**HARDWARE ATTACHMENT DETAIL**  
SCALE: NA



**C**  
L-01  
**STIFFENER/GRIPPER DETAIL**  
SCALE: NA

**NOTE:** MIN. FESTOON DEPTH REQUIREMENTS ARE DEPENDENT ON THE OVERALL LENGTH OF THE LAPENDARY® PANEL. PLEASE CALL MBI PRODUCTS FOR ENGINEERING ASSISTANCE ON THESE DIMENSIONS.

**NOTE:**  
FESTOON DIMENSION RANGES FROM 30" MIN. TO 8'-0" MAX. DEPENDING ON THE OVERALL LENGTH OF LAPENDARY®.

MBI Products Company, Inc.  
801 Bond Street  
Elyria, Ohio 44035  
Telephone: (440) 322-6500  
Fax: (440) 322-1900  
Website: www.mbiproducts.com



Revisions:

No.	Date:	Description:

**Sheet Description:**  
**Lapendary® Panels**  
**Attachment to Beams or**  
**Bar Joists with Cable Ends**

Drawn By:	CPB
Checked By:	-
Approved By:	-

	MBI Products Company, Inc.
Date:	08/12/10
Scale:	VARIES
Drawing Ref:	None
Drawing:	<b>L-01</b>