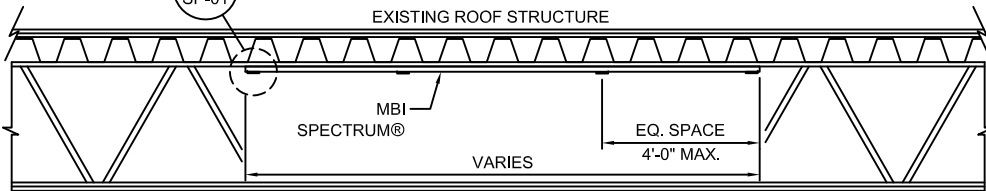


**1**  
SP-01 **VIEW FROM BELOW**  
SCALE: NA

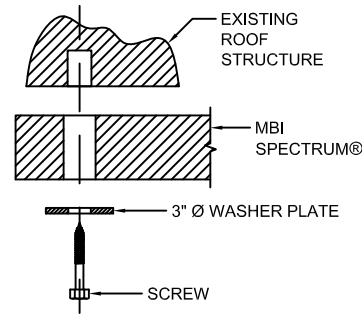
**NOTES:**  
1) 1/L-07 ILLUSTRATES A SNUG ATTACHMENT OF SPECTRUM® PANELS USING 3" DIA. COLOR-MATCHED WASHER PLATES FASTENED DIRECTLY TO THE UNDERSIDE OF A DECK OR CEILING.

**NOTES TYP.**  
1) DUE TO THE NATURE OF THIS PRODUCT, FESTOON DEPTH MAY VARY. ADJUSTMENTS MAY BE NECESSARY.

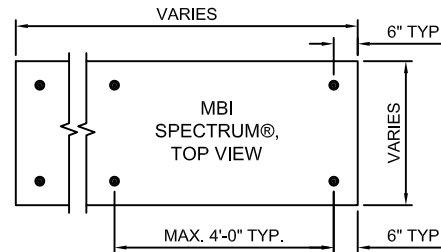


**2**  
SP-01 **SPECTRUM - TYP. ATTACHMENT DETAIL**  
SCALE: NA

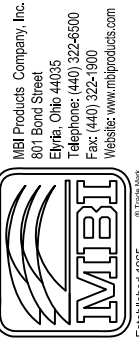
**NOTE:**  
DETAIL DRAWN TO SHOW SUSPENSION ATTACHMENTS ONLY. IT IS NOT REPRESENTATIVE OF AN ACTUAL INSTALLATION.



**A**  
SP-01 **HARDWARE ATTACHMENT DETAIL**  
SCALE: NA



**B**  
SP-01 **WASHER PLATE DETAIL**  
SCALE: NA



Revisions:  
No. Date: Description:

No.	Date:	Description:

**Sheet Description:**  
**MBI Spectrum® Panels**  
**Attach Direct to Roof Deck**  
**w/ Washer Plates**



Drawn By: CPB

Date: 01/25/11

Scale: NA

Drawing Ref: None

Drawing:

**SP-01**

This drawing is property of MBI Products Company Inc. Any reproduction or use of this drawing can only occur with written consent of MBI.