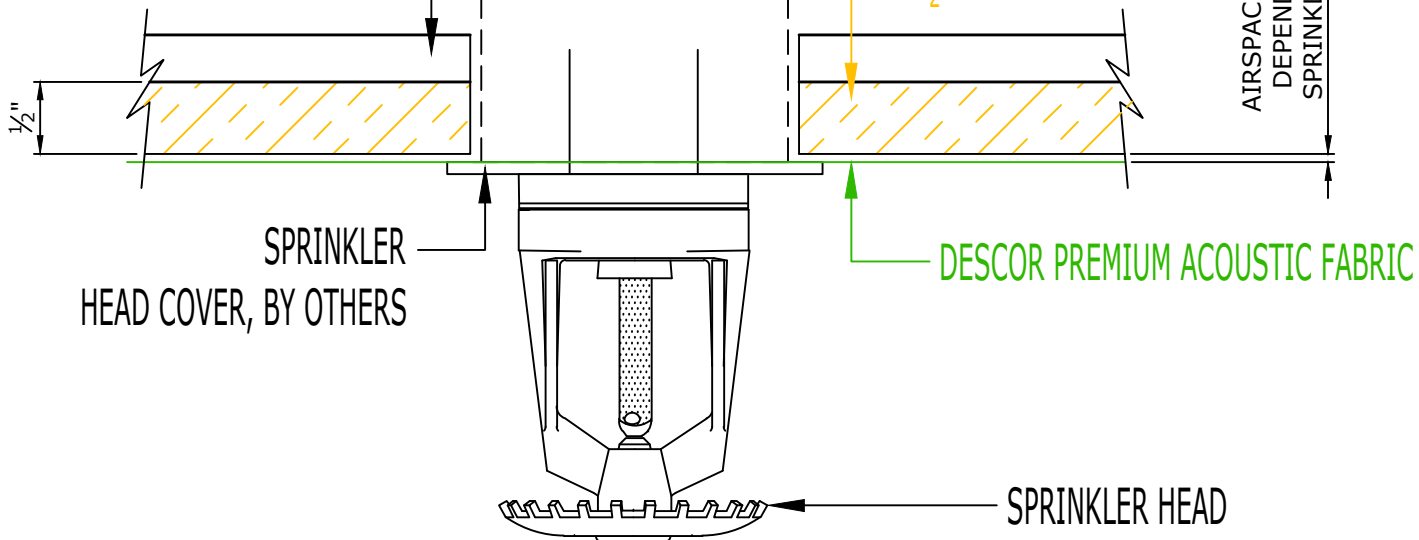


EXISTING CEILING BY OTHERS,
MUST BE CONSISTENT IN COLOR
TO PREVENT SHADOWING



AIRSPACE TO VARY
DEPENDING ON
SPRINKLER HEAD

DRAWING BASED ON 1/2" POLYESTER FILL.
PLEASE NOTE, FOR ANY OTHER ACOUSTICAL FILL,
FURRING WILL BE NEEDED TO ACCOMMODATE THE
THICKNESS OF THE FILL AND TO PREVENT THE
ACOUSTICAL FILL FROM TOUCHING THE FABRIC.

MBI IS NOT RESPONSIBLE FOR LOCAL FIRE CODES / SPRINKLER INTERPRETATION. ALL MATERIALS ARE CLASS A.

*PLEASE SEE MBI MASQUERADE DESCOR TECHNICAL ASSEMBLY INSTRUCTIONS

This drawing is property of MBI
Products Company Inc. Any
reproduction or use of this drawing can
only occur with written consent of MBI.

MBI Products Company, Inc.
801 Bond Street
Elyria, Ohio 44035
Telephone: (440) 322-6500
Fax: (440) 322-1900
Website: www.mbiproducts.com



Revisions:

No. Date: Description:

No.	Date:	Description:

Sheet Description:

**MBI Masquerade DESCOR
At Sprinklers
Detail**

MBI Products Company, Inc.

Drawn By: CPB

Date: 5/20/20

Scale: NA

Drawing Ref:None

Drawing:

SW-11