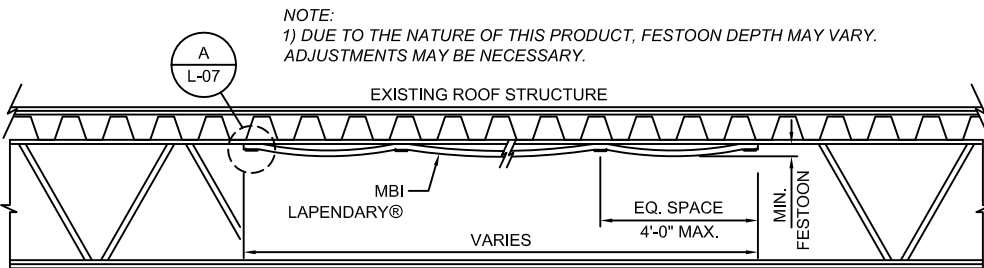


1
L-07 **VIEW FROM BELOW**
SCALE: NA

NOTES:

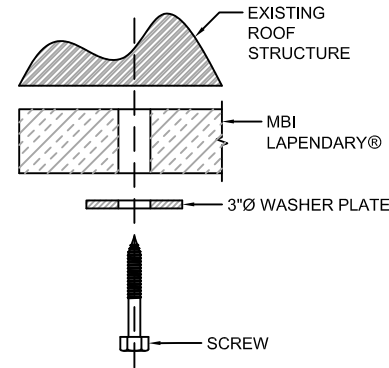
- 1) 1/L-07 ILLUSTRATES A SNUG ATTACHMENT OF LAPENDARY® PANELS USING 3"Ø COLOR-MATCHED WASHER PLATES FASTENED DIRECTLY TO THE UNDERSIDE OF A DECK OR CEILING.
- 2) LAPENDARY® PANELS PROVIDE A FESTOON APPEARANCE WHILE RIGID SPECTRUM® PANELS PROVIDE AN ARCHITECTURALLY DEFINED APPEARANCE.
- 3) THERE IS APPROXIMATELY 3" OF FESTOON BETWEEN 4'-0" ON CENTER ATTACHMENT POINTS.
- 4) PERFORATED SIDE OF LAPENDARY® TO FACE DOWN.



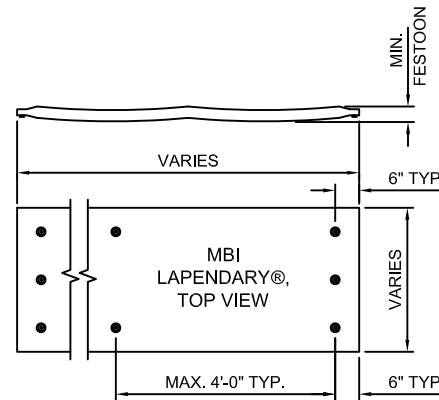
2
L-07 **HORZ. LAPENDARY - TYP. ATTACHMENT DETAIL**
SCALE: NA

NOTE:
DETAIL DRAWN TO SHOW SUSPENSION ATTACHMENTS ONLY. IT IS NOT REPRESENTATIVE OF AN ACTUAL INSTALLATION.

NOTE:
ALL MBI DRAWINGS AND DETAILS ARE INTENDED TO PROVIDE GENERIC INSTALLATION GUIDELINES ONLY. ACTUAL FIELD CONDITIONS MAY VARY AND NEED TO BE CONFIRMED BY OTHERS.



A
L-07 **HARDWARE ATTACHMENT DETAIL**
SCALE: NA



NOTE: MIN. FESTOON DEPTH REQUIREMENTS ARE DEPENDENT ON THE OVERALL LENGTH OF THE LAPENDARY® PANEL. PLEASE CALL MBI PRODUCTS FOR ENGINEERING ASSISTANCE ON THESE DIMENSIONS.

B
L-07 **WASHER PLATE DETAIL**
SCALE: NA

MBI Products Company, Inc.
801 Bond Street
Elyria, Ohio 44035
Telephone: (440) 322-6500
Fax: (440) 322-1900
Website: www.mbiproducts.com



Revisions:		
No.	Date:	Description:

Sheet Description:
Lapendary® Panels
Washer Plate Attachment
to Roof Deck Details

Drawn By:	CPB
Checked By:	-
Approved By:	-

MBI Products Company, Inc.	
Date:	1/24/11
Scale:	VARIES
Drawing Ref:	None
Drawing:	L-07

This drawing is property of MBI Products Company Inc. Any reproduction or use of this drawing can only occur with written consent of MBI.