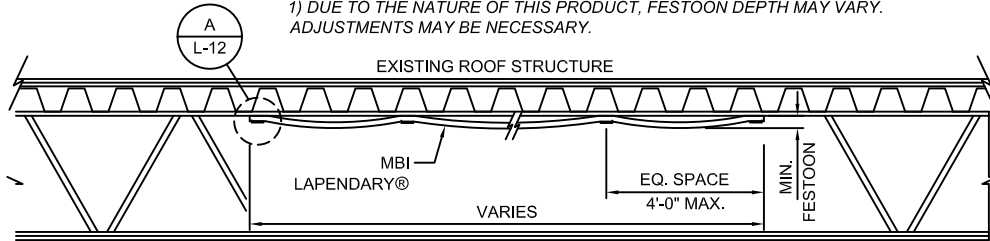


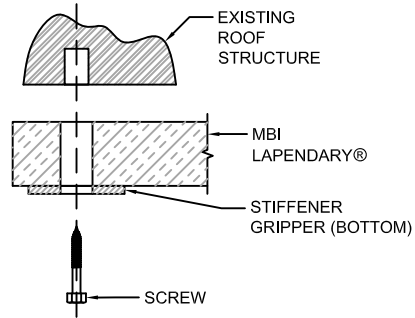
**NOTE:**  
ALL MBI DRAWINGS AND DETAILS ARE INTENDED TO PROVIDE GENERIC INSTALLATION GUIDELINES ONLY. ACTUAL FIELD CONDITIONS MAY VARY AND NEED TO BE CONFIRMED BY OTHERS.

**NOTE:**  
1) DUE TO THE NATURE OF THIS PRODUCT, FESTOON DEPTH MAY VARY. ADJUSTMENTS MAY BE NECESSARY.

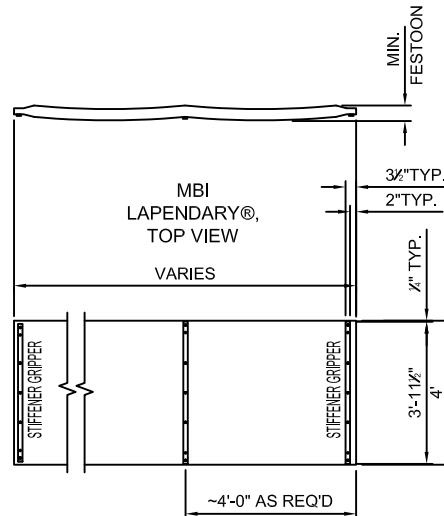


**1**  
L-12 **HORZ. LAPENDARY - TYP. ATTACHMENT DETAIL**  
SCALE: NA

**NOTE:**  
DETAIL DRAWN TO SHOW SUSPENSION ATTACHMENTS ONLY. IT IS NOT REPRESENTATIVE OF AN ACTUAL INSTALLATION.



**A**  
L-12 **HARDWARE ATTACHMENT DETAIL**  
SCALE: NA



**NOTE:** MIN. FESTOON DEPTH REQUIREMENTS ARE DEPENDENT ON THE OVERALL LENGTH OF THE LAPENDARY® PANEL. PLEASE CALL MBI PRODUCTS FOR ENGINEERING ASSISTANCE ON THESE DIMENSIONS.

**B**  
L-12 **STIFFENER DETAIL**  
SCALE: NA

MBI Products Company, Inc.  
801 Bond Street  
Elyria, Ohio 44035  
Telephone: (440) 322-6500  
Fax: (440) 322-1900  
Website: www.mbiproducts.com



Revisions:

No.	Date:	Description:

Sheet Description:  
**Lapendary® Panels**  
**Half Stiffener Attachment**  
**to Roof Deck Details**

Drawn By:	CPB
Checked By:	-
Approved By:	-

MBI Products Company, Inc.	
Date:	3/26/12
Scale:	VARIES
Drawing Ref:	None
Drawing:	<b>L-12</b>

This drawing is property of MBI Products Company Inc. Any reproduction or use of this drawing can only occur with written consent of MBI.